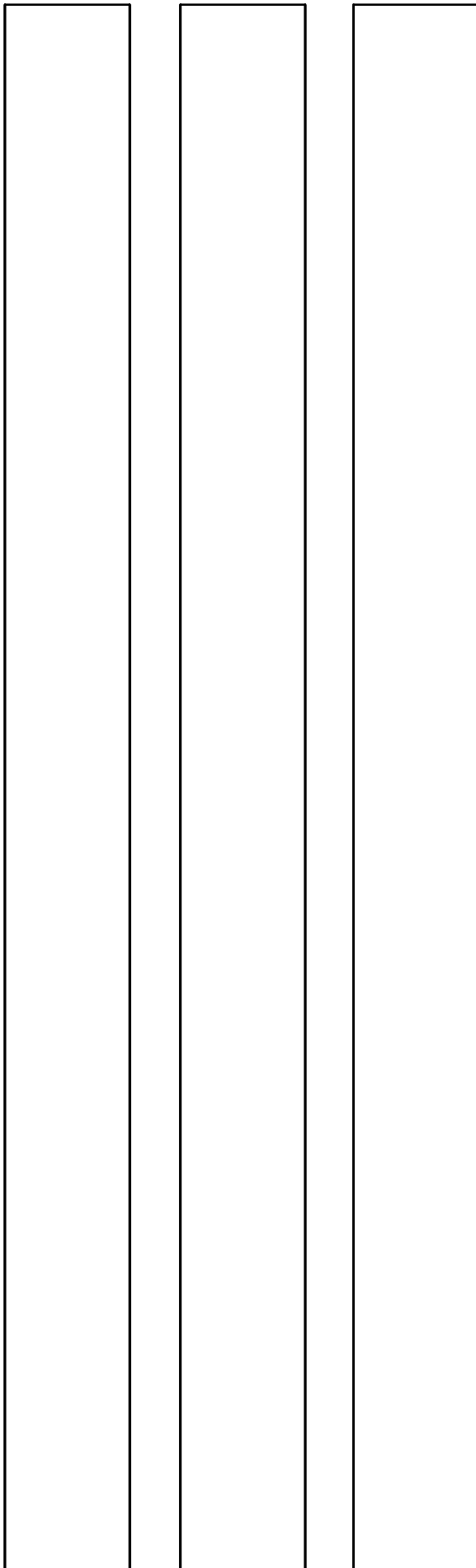


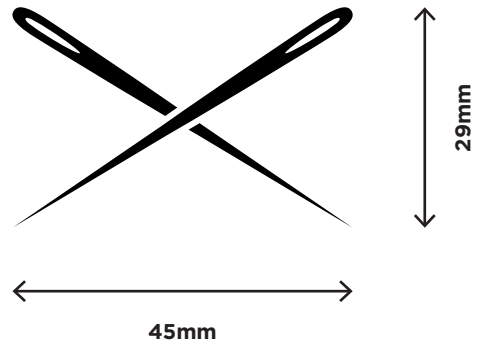


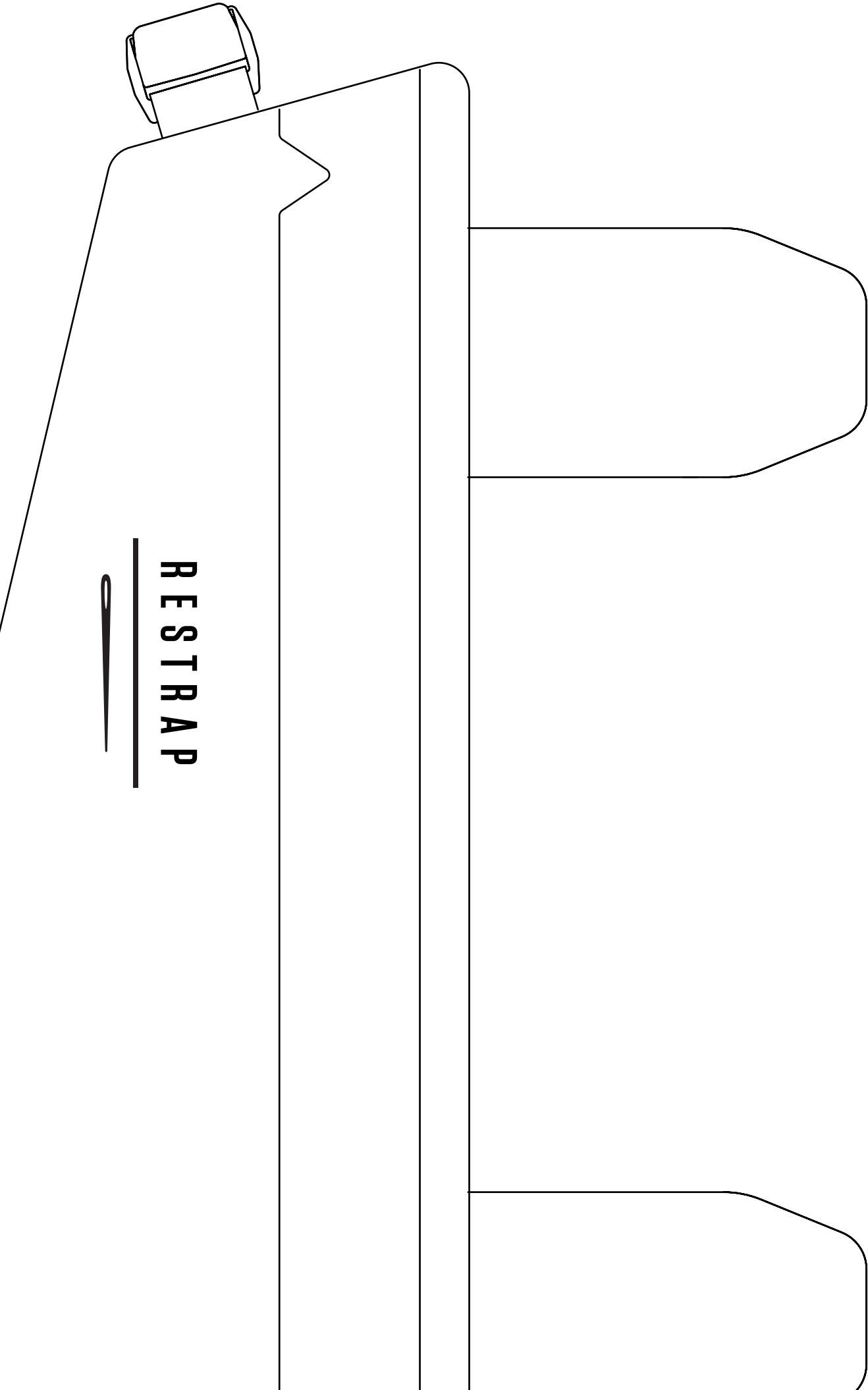
RESTRAP

TECHNICAL BIKEPACKING GEAR



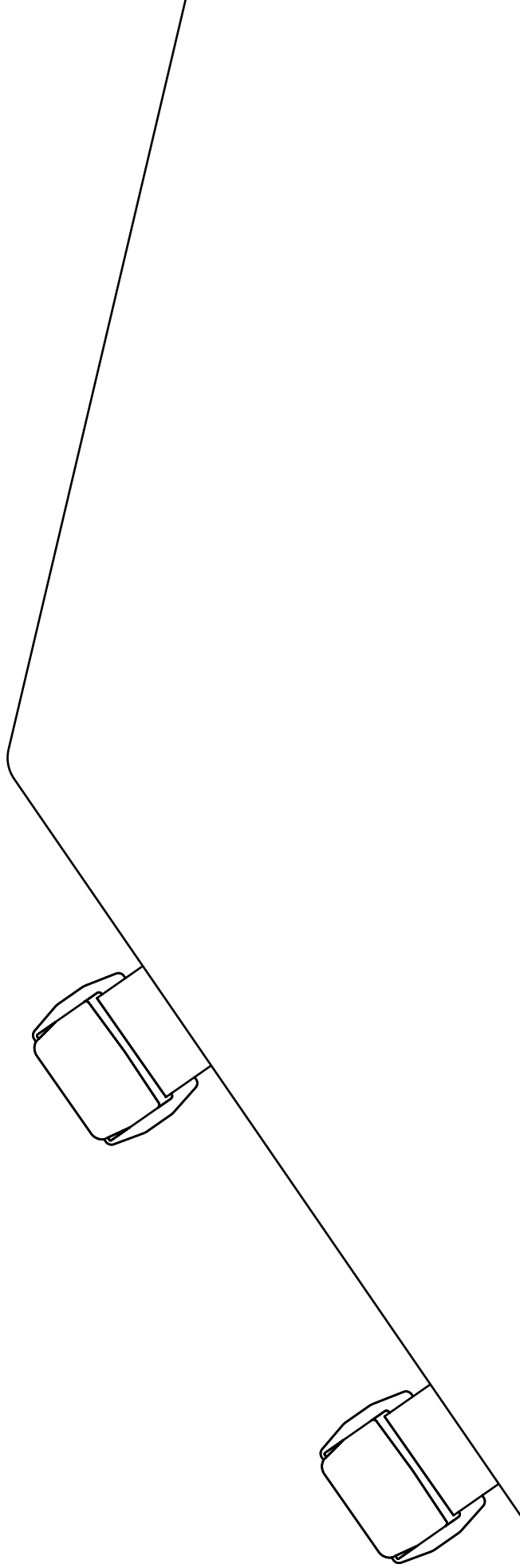
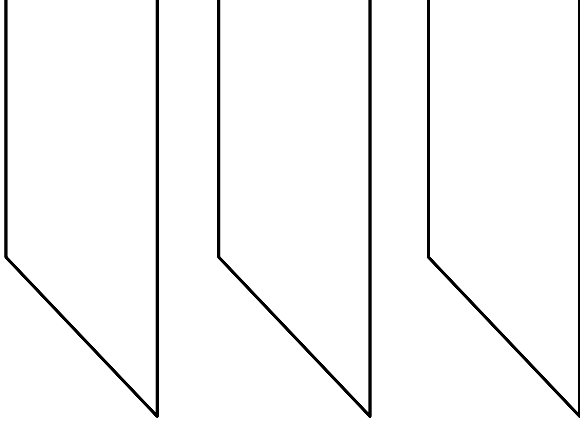
- Print this document on A4 paper (21x29.7cm) making sure that it is at 100% scale.
- Measure both sides of the crossed needles to verify the scale is accurate.
- Assemble the prints according to the numbered guide on each sheet, ensuring the registration marks lay on top of each other.
- Tape the sheets together, then cut along the bag's outline for a physical representation of our bag's shape and size.







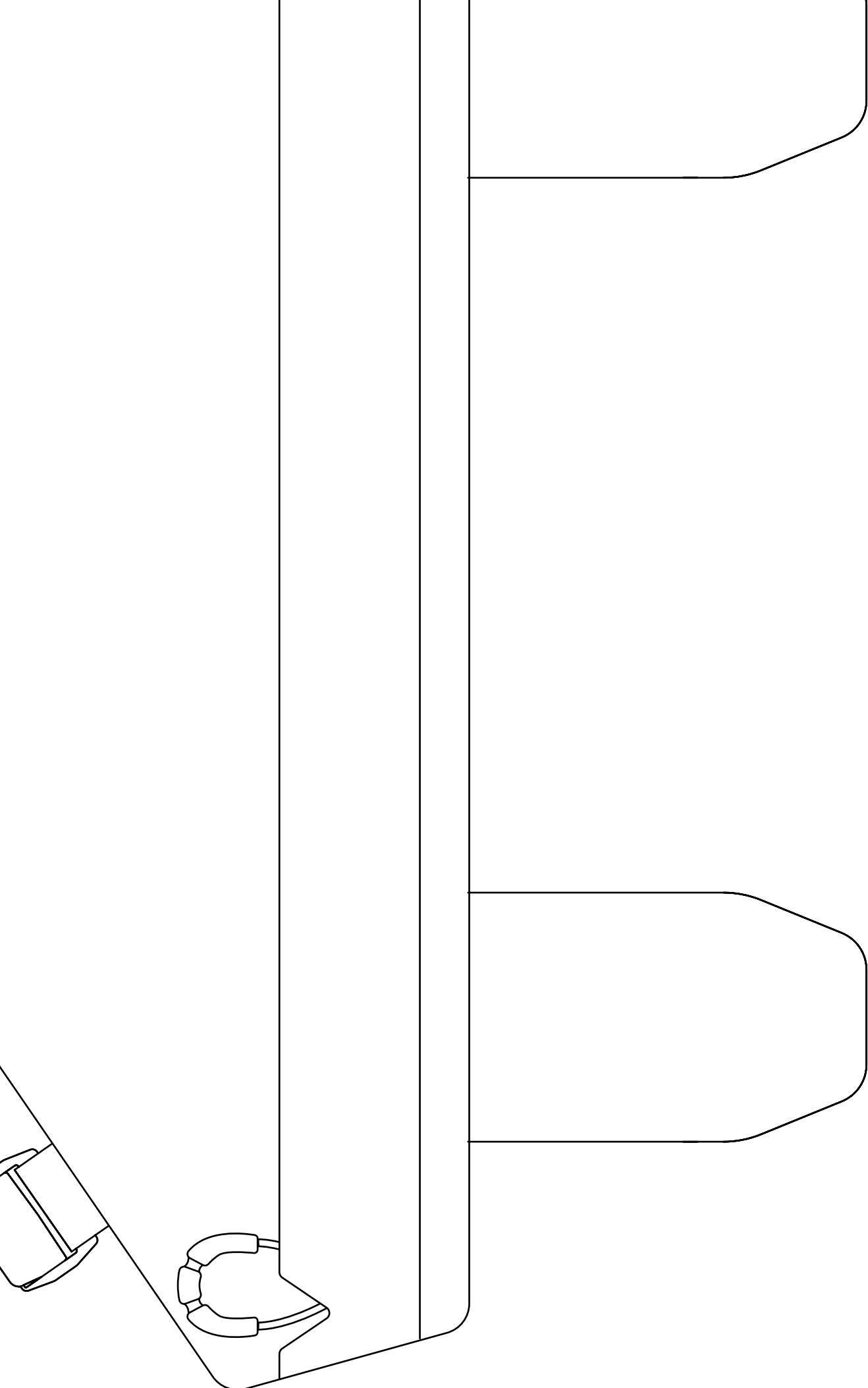
NUMBER GUIDE



RESTRAP
TECHNICAL BACKPACKING GEAR

- 1. Fold the material on the upper (24x24 cm) and lower (18x18 cm) panels.
- 2. Place both ends of the material inside the bag to ensure it is secure.
- 3. Assemble the straps according to the instructions on the strap.
- 4. Zip the straps together and use the strap to secure the bag.





RESTRAP RACE FRAME BAG - LARGE

